

**NQD-TG3-5260 KIT CONTENTS. INSPECTED BY: \_\_\_\_\_**

**BASE PLATE- STANDARD (NQD-071) OR (NQD-104)**

**DOOR BAR- STANDARD (NQD-080)**

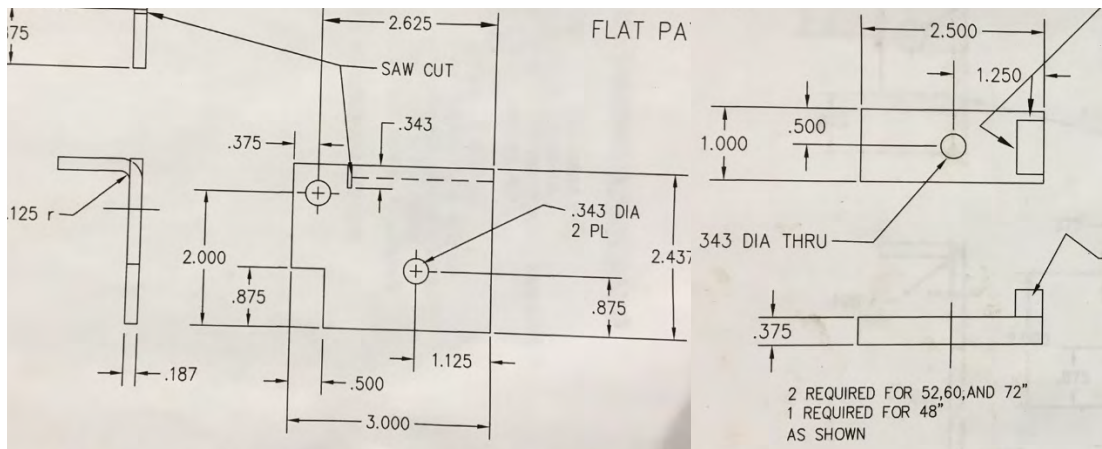
**HANDLE PIVOT- STANDARD (NQD-075)**

**HANDLE- STANDARD (NQD-092)**

**DOOR- NQD-TG3-5260/TG3-48**

**CENTER DEFLECTOR- STANDARD (NQD-100)**

**BRACKETS- (UNINSTALLED/IN HARDWARE KIT)**



**HARDWARE KIT- TG3 CONTENT:**

**(4) 1/4-20 X 7/8 SOCKET HEAD BOLT**

**(4) 1/4-20 GR 8 NUT**

**(4) 5/16-18 X 1 GR5 HEX HEAD BOLT**

**(8) 5/16 SAE or 1/4 USS WASHER**

**(4) 5/16-18 NYLOC NUT**

**(1) NQD-097-SPRING**

**(1) SPRING PULLER**

**ASSEM: MT. BRKTS & HEEL CLAMPS**

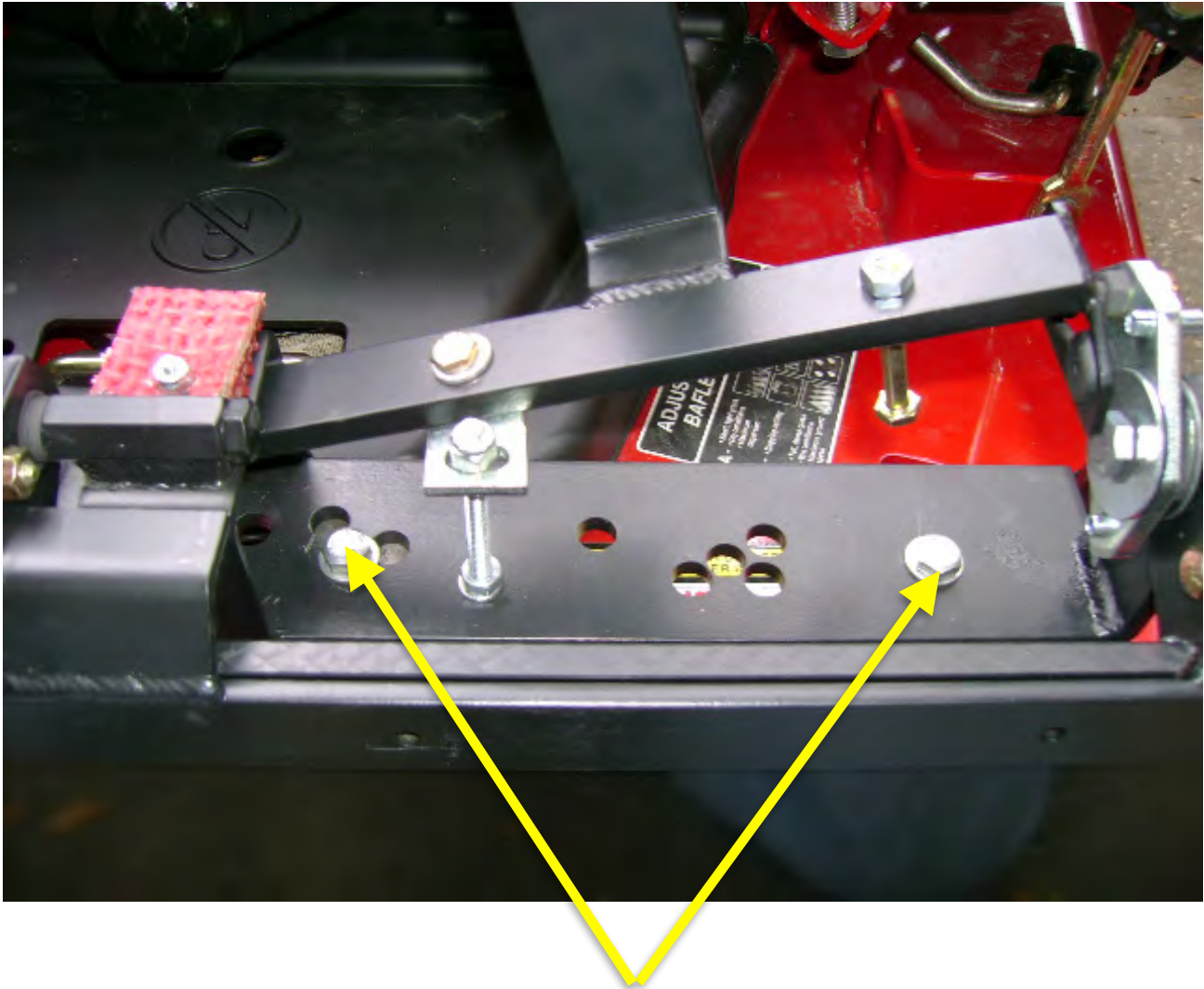
**(2) TO-18 W/ (2) TO-13**

**(2) 5/16-18 X 1-1/2 GR 5 HEX HEAD BOLT**

**(4) 5/16 SAE or 1/4 USS WASHER**

**(2) 5/16-18 NYLOC NUT**

## NQD-TG3-5260



**STEP 1: INSTALL QWIKCHUTE MOUNTING BRACKETS ON DECK EARS AS SHOWN ON SHEET 2.**

**- INSTALL 5/16 X 1" BOLTS THROUGH QWIKCHUTE BASEPLATE AND MOUNTING BRACKETS WITH NUTS AND WASHERS AT LOCATIONS SHOWN.**

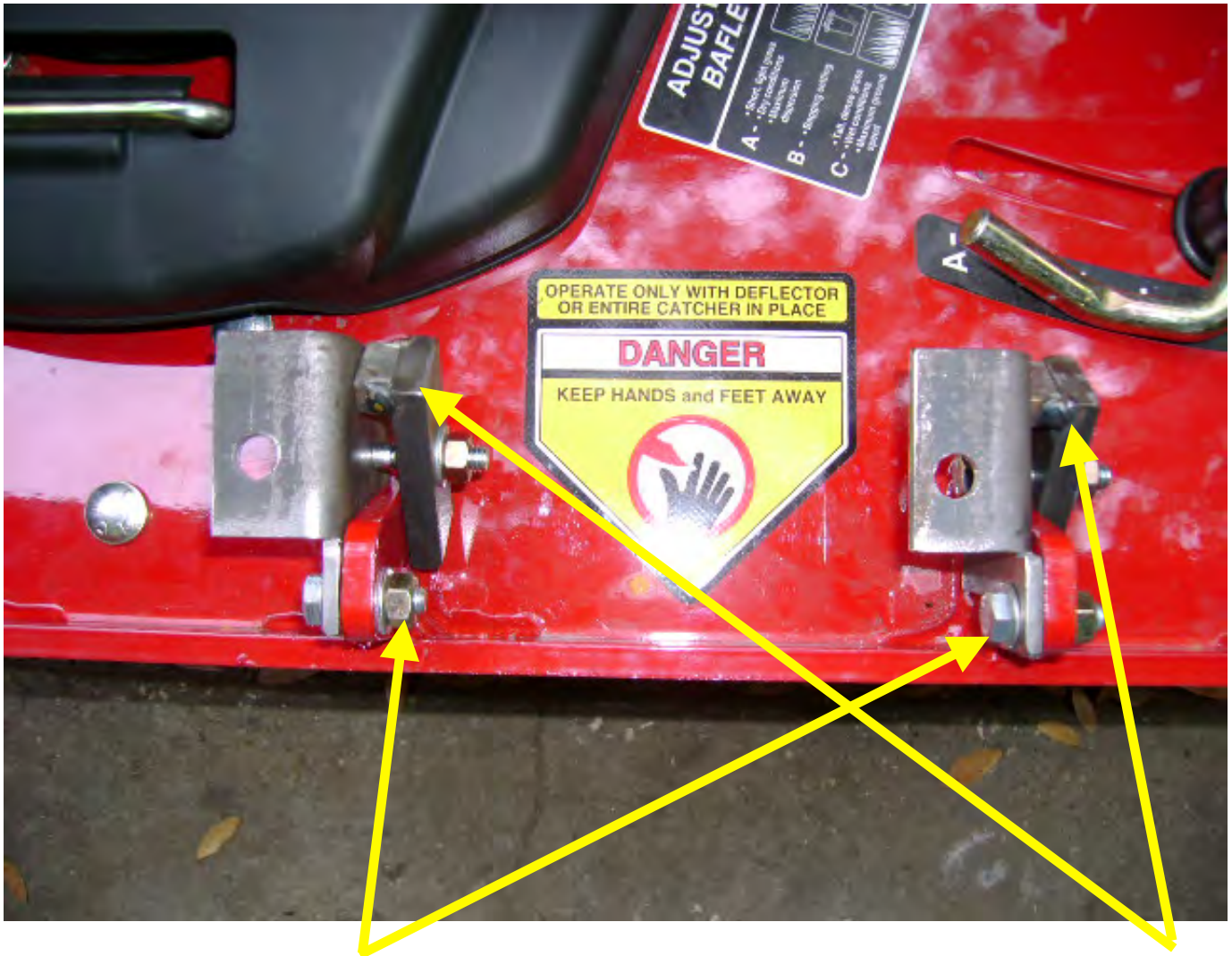
**-WITH DOOR TIGHT AGAINST MOWER DISCHARGE FACE, TIGHTEN ALL MOUNTING HARDWARE.**

**STEP 2: INSTALL SPRING (SEE SHEET 3)**

**STEP 3: INSTALL HANDLE (SEE SHEET 4)**

**INSTALLATION OF QWIKCHUTE ON A TORO  
G3 STYLE DECK 52",60" AND 72"**

**NQD-TG3-5260**



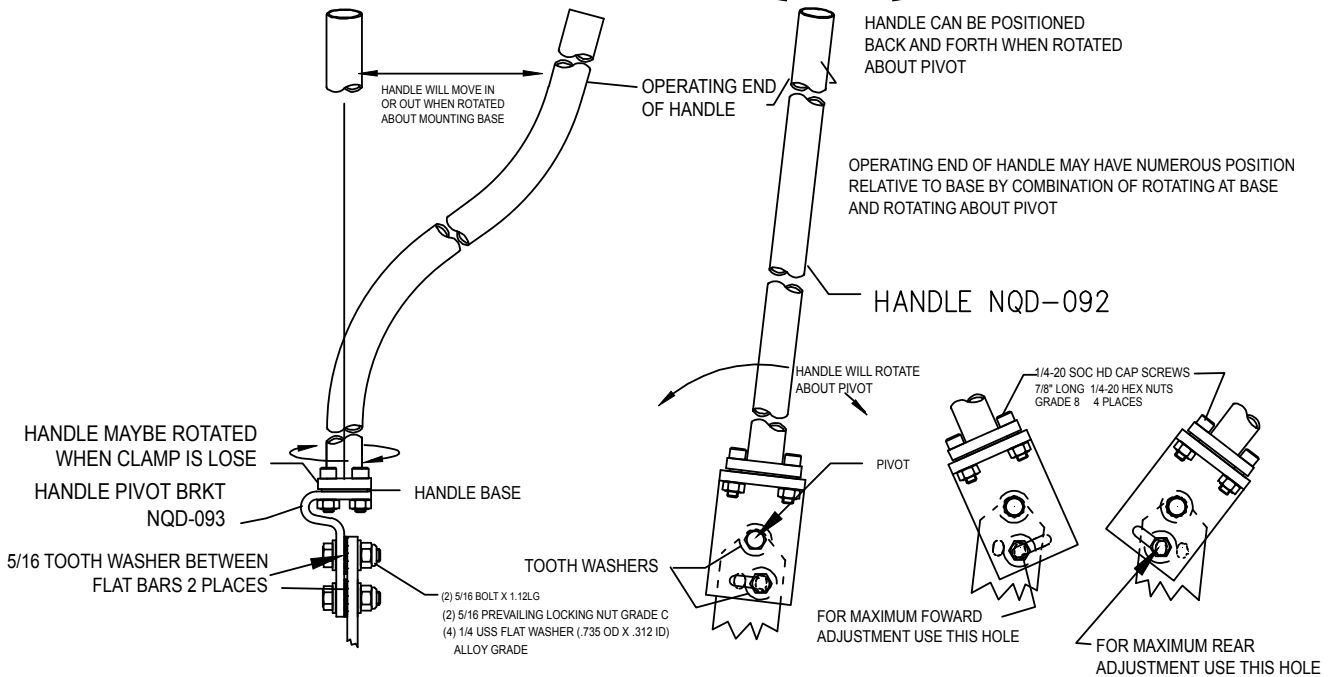
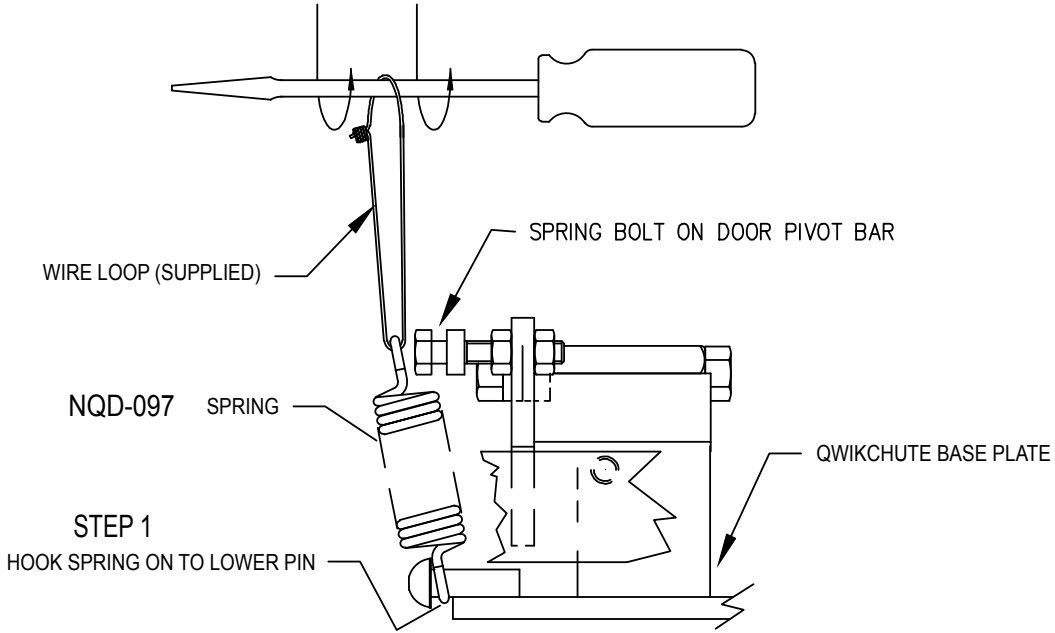
**5/16 X 1" BOLT WITH WASHERS, AND LOCK NUT, MOUNT USING EXISTING HOLE IN THE DECK EAR.**

**INSTALL THE HEEL CLAMP SO THAT THE TOP OF IT IS BELOW THE MOUNTING SURFACE OF THE BRACKET.**

# NQD-TG3-5260

## SPRING INSTALLATION QWIKCHUTE NQD MODEL

**STEP 2** LOOP FINGERS OVER SCREWDRIVER  
BLADE AND LIFT SPRING ON TO SPRING BOLT  
CAUTION -DO NOT OVER STRECH SPRING  
DISCARD WIRE LOOP AFTER SPRING IS CONNECTED



### HANDLE INSTALLATION AND ADJUSTMENT

### QWIKCHUTE OPERATING PRECEDURE

OPEN FULLY- move handle away from operator quickly.

CLOSE FULLY- move handle toward operator quickly.

PARTIALLY OPEN- from close position move handle away from operator until stay bar swings into position and release handle. To close from partially open position, quickly open and then close.

(some models do not have partial open feature.)

**OIL ALL BEARING POINTS WEEKLY OR AS NEEDED.**

# WARRANTY

GTM Manufacturing, Inc. products are warranted to the original purchaser to be free from defects in materials and workmanship for a period of 90 days from the date of purchase. Any part(s) of GTM products found to be defective within the warranty period shall, at GTM's option, be repaired or replaced without charge.

Warranty consideration is obtained by returning any GTM product/part believed to be defective to GTM Manufacturing, Inc. within the applicable warranty period. **Please call for authorization.**

**GTM Manufacturing, Inc.**

**14350 EASTSIDE ST**

**GROVELAND, FL. 34736**

**(407) 654-6598**

**www.qwikchute.com**

**Warranty does not apply to conditions resulting from:**

1. Damage(s) and/or costs associated with shipping and or/ transportation.
2. Lack of normal maintenance, adjustments, or service required for regular use of the product.
3. Modifications, service/repairs, parts or components not authorized by GTM.

GTM shall not be liable for any special, consequential, direct or indirect damages, and expressly states there are no implied warranties. Some states do not allow limitation of incidental or consequential damages, accordingly the above limitations and exclusions may not apply to you. This warranty provides you with specific legal rights which may vary from state to state.

IT IS THE OWNERS RESPONSIBILITY TO PROPERLY COMPLETE AND MAIL THE WARRANTY REGISTRATION CARD.

**PROOF OF PURCHASE AND REGISTRATION WILL BE REQUIRED IN ORDER TO OBTAIN WARRANTY SERVICE.**

## **WARRANTY REGISTRATION CARD**

Name of Purchaser: \_\_\_\_\_

Street Address / P.O. Box: \_\_\_\_\_

City: \_\_\_\_\_ State \_\_\_\_\_ Zip Code: \_\_\_\_\_

Model Number: \_\_\_\_\_ PURCHASE DATE: \_\_\_\_\_|\_\_\_\_\_|\_\_\_\_\_

Dealer Name: \_\_\_\_\_

Street Address: \_\_\_\_\_

City: \_\_\_\_\_ State: \_\_\_\_\_ Zip Code: \_\_\_\_\_

Customer Received: Operators Manual (  ) Safety Instructions (  ) Demonstration (  )

\_\_\_\_\_  
Customers Signature

\_\_\_\_\_  
Date