

NQD-SLIB-48 KIT CONTENTS. INSPECTED BY: _____

BASE PLATE- MODIFIED REVERSE (**SC-32**) WITH (**NQD-113-1**) USE 3/16"
PLASTIC BUMPER SPACER

DOOR BAR- STANDARD REVERSE (**NQDR-108**)

HANDLE PIVOT- STANDARD REVERSE (**NQDR-110**)

HANDLE – STANDARD (**NQD-092**)

DOOR- **NQD-SLIB-48**

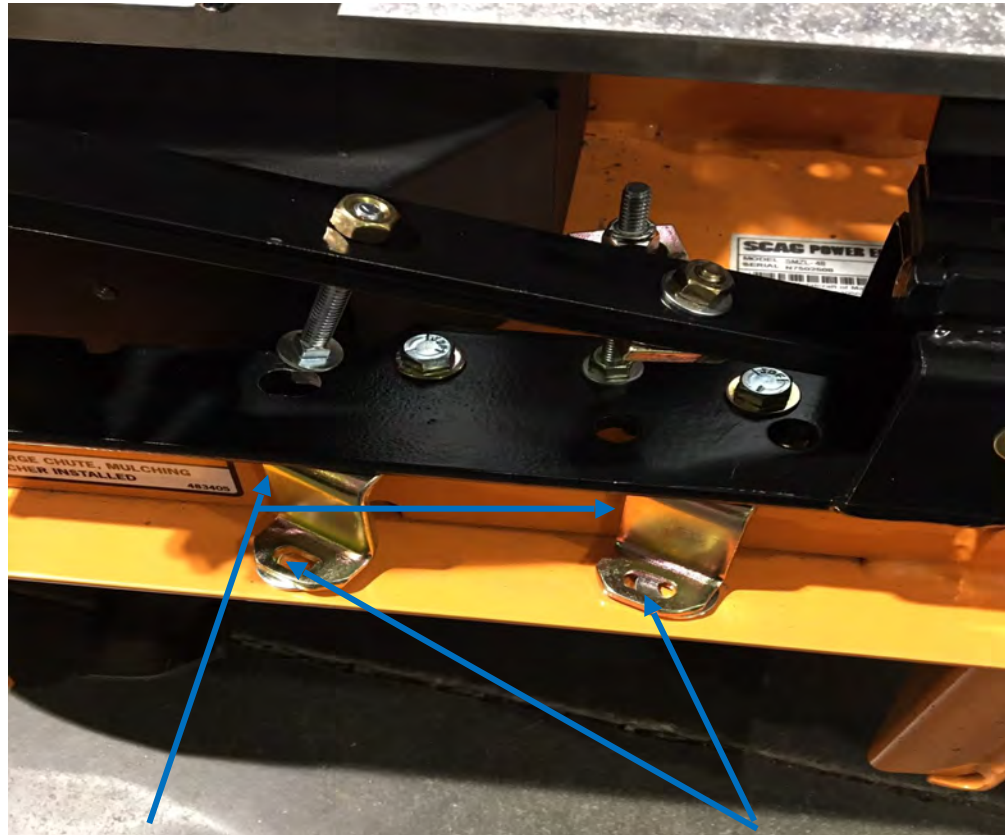
CENTER DEFLECTOR- STANDARD REVERSE (**NQDR-103**)

BRACKETS- (2) **UB-02** (1.667" TALL MOUNTING BRACKET) /INSTALLED

HARDWARE KIT- **CPW** CONTENTS:

- (4) 1/4-20 X 7/8 SOCKET HEAD BOLT
- (4) 1/4-20 GR 8 NUTS
- (4) 1/4-20 X 1 GR 8 HEX HEAD BOLT
- (8) 1/4 SAE WASHER
- (4) 1/4-20 NYLOC NUT
- (1) NQD-097-SPRING
- (1) SPRING PULLER
- (4) 5/16 USS WASHER

NQD-SLIB-48 SCAG LIBERTY 48" MOWER



MOUNTING BRACKET

DRILL HERE AND ON BACKSIDE 4 HOLES



WASHERS ARE UNDER THE MOUNTING BRACKET USED AS SPACERS (4 PLACES)

STEP 1

REMOVE FACTORY CHUTE AND PLACE QWIKCHUTE ON DECK. CLOSE DOOR ON QWIKCHUTE. CENTER IT UP ON THE DECK OPENING HOLDING DOOR AGAINST THE FACE OF OPENING. USING MOUNTING BRACKETS AS TEMPLATE MARK HOLES WITH MARKER. REMOVE UNIT CENTER PUNCH AND DRILL FOUR 9/32" HOLES. PLACE (4) 5/16 USS WASHER UNDER MOUNTING BRACKET PADS AS SHOWN IN PICTURE, MOUNT QWIKCHUTE TO DECK USING (4) 1/4-20 X 1-1/4" BOLTS WITH WASHERS AND NUTS AS SUPPLIED. SNUG MOUNTING BOLTS, THEN ADJUST DOOR TO SEAL AGAINST OPENING FACE. THEN TIGHTENING HARDWARE.

STEP 2

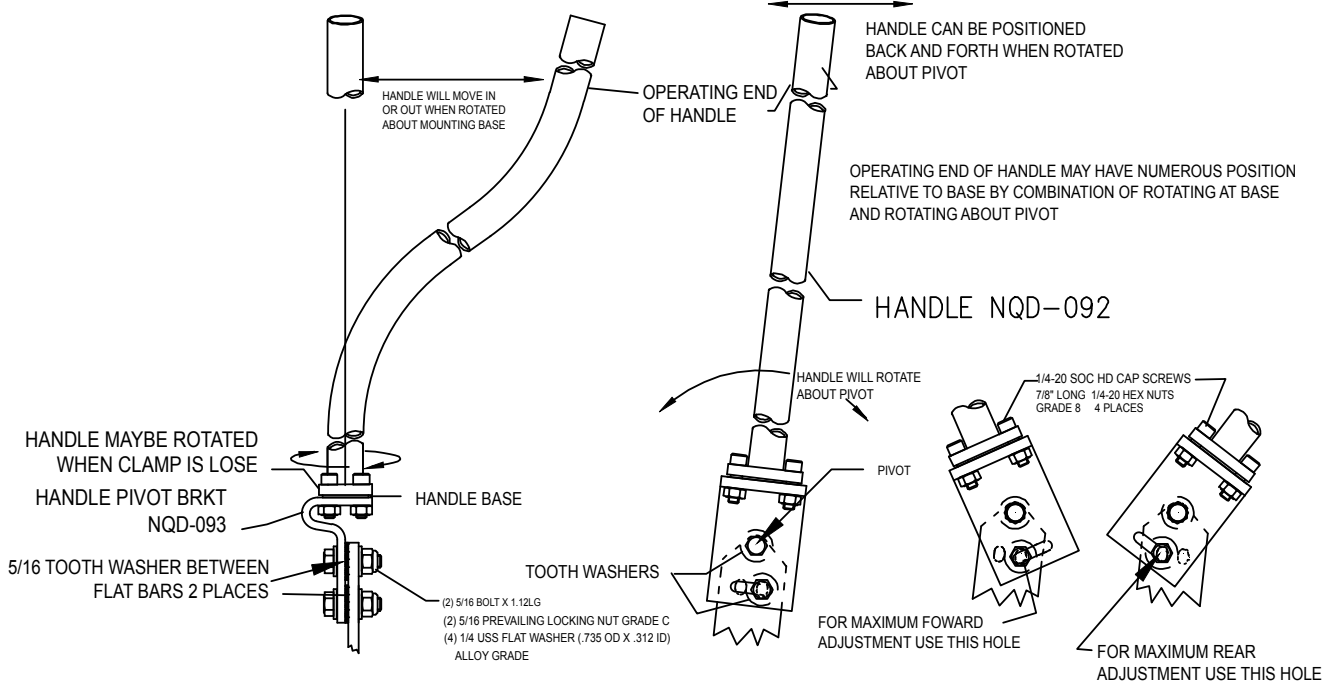
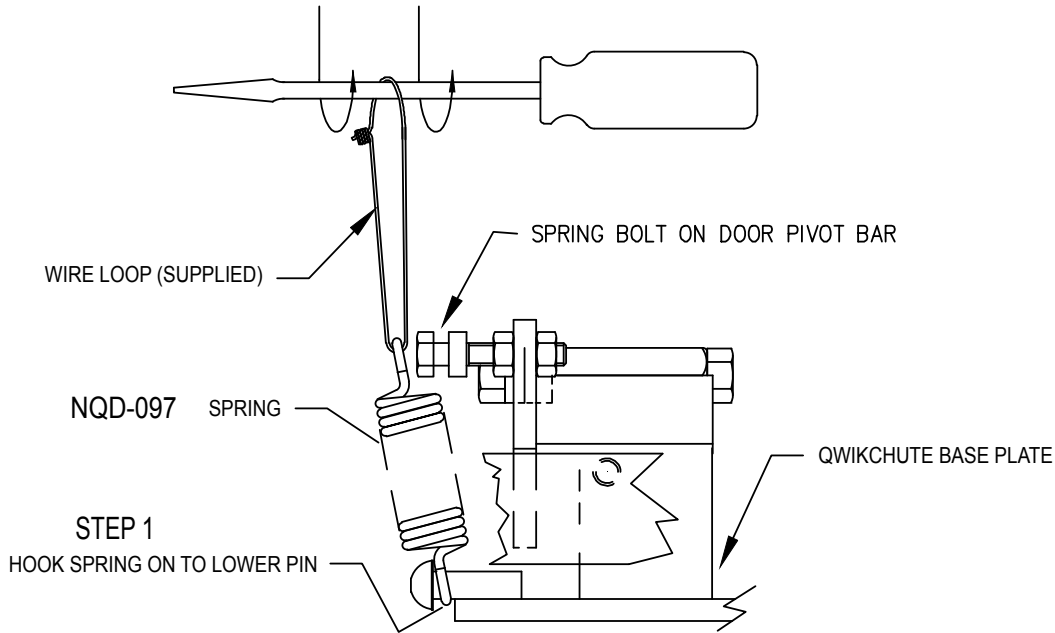
INSTALL SPRING (SEE INSTALLSTION SHEET)

STEP 3

INSTALL HANDLE (SEE INSTALLSTION SHEET)

SPRING INSTALLATION QWIKCHUTE NQD MODEL

STEP 2 LOOP FINGERS OVER SCREWDRIVER
BLADE AND LIFT SPRING ON TO SPRING BOLT
CAUTION -DO NOT OVER STRECH SPRING
DISCARD WIRE LOOP AFTER SPRING IS CONNECTED



HANDLE INSTALLATION AND ADJUSTMENT

QWIKCHUTE OPERATING PRECEDURE

OPEN FULLY- move handle away from operator quickly.

CLOSE FULLY- move handle toward operator quickly.

PARTIALLY OPEN- from close position move handle away from operator until stay bar swings into position and release handle. To close from partially open position, quickly open and then close.

(some models do not have partial open feature.)

OIL ALL BEARING POINTS WEEKLY OR AS NEEDED.

WARRANTY

GTM Manufacturing, Inc. products are warranted to the original purchaser to be free from defects in materials and workmanship for a period of 90 days from the date of purchase.

Any part(s) of GTM products found to be defective within the warranty period shall, at GTM's option, be repaired or replaced without charge.

Warranty consideration is obtained by returning any GTM product/part believed to be defective to GTM Manufacturing, Inc. within the applicable warranty period. **Please call for authorization.**

GTM Manufacturing, Inc.

14350 EASTSIDE ST

GROVELAND, FL. 34736

(407) 654-6598

www.qwikchute.com

Warranty does not apply to conditions resulting from:

1. Damage(s) and/or costs associated with shipping and or/ transportation.
2. Lack of normal maintenance, adjustments, or service required for regular use of the product.
3. Modifications, service/repairs, parts or components not authorized by GTM.

GTM shall not be liable for any special, consequential, direct or indirect damages, and expressly states there are no implied warranties. Some states do not allow limitation of incidental or consequential damages, accordingly the above limitations and exclusions may not apply to you. This warranty provides you with specific legal rights which may vary from state to state.

IT IS THE OWNERS RESPONSIBILITY TO PROPERLY COMPLETE AND MAIL THE WARRANTY REGISTRATION CARD.

PROOF OF PURCHASE AND REGISTRATION WILL BE REQUIRED IN ORDER TO OBTAIN WARRANTY SERVICE.

WARRANTY REGISTRATION CARD

Name of Purchaser: _____

Street Address / P.O. Box: _____

City: _____ State _____ Zip Code: _____

Model Number: _____ PURCHASE DATE: _____|_____|_____

Dealer Name: _____

Street Address: _____

City: _____ State: _____ Zip Code: _____

Customer Received: Operators Manual () Safety Instructions () Demonstration ()

Customers Signature

Date