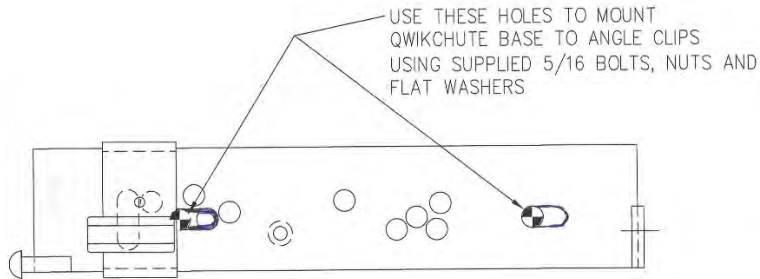


# NQD-BCFX5261 KIT CONTENTS.    INSPECTED BY: \_\_\_\_\_

## BASE PLATE- BC-01 (BOBCAT BASEPLATE)



## DOOR BAR- (NQD-080) STANDARD

## HANDLE PIVOT- (NQD-075) STANDARD

## HANDLE- (NQD-092) STANDARD

## DOOR- NQD-BCFX5261

## CENTER DEFLECTOR- (NQD-100) STANDARD

## BRACKETS- (UNINSTALLED IN THE HARDWARE KIT)

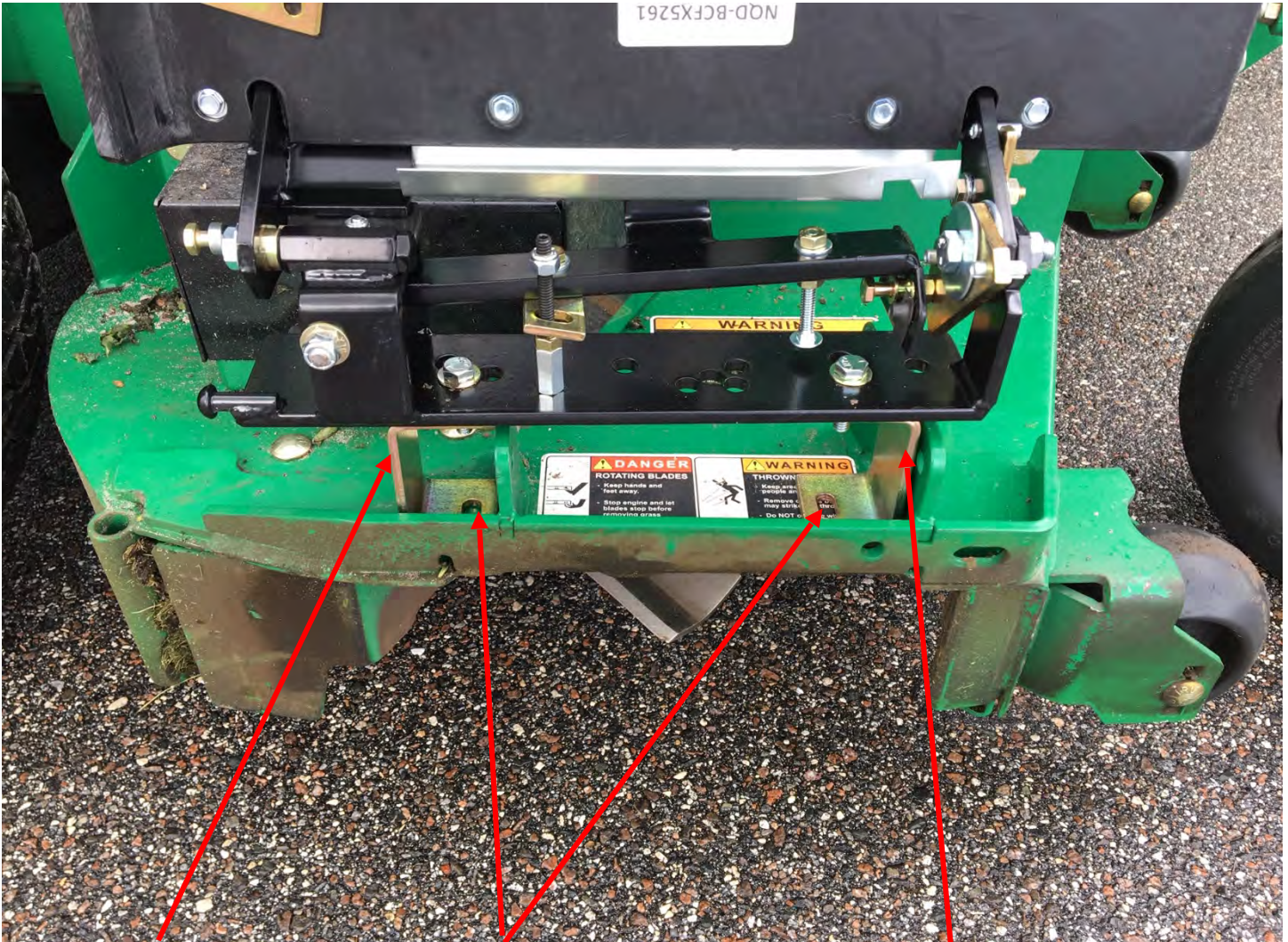
## BAFFLE - 1) BC-04 (L-SHAPED STEEL DOOR BAFFLE)

## HARDWARE KIT- BCFX CONTENTS:

- (2) UB-09 (2.687" u-brkt)
- (4) 1/4-20 X 7/8 SOCKET HEAD BOLT
- (4) 1/4-20 GR 8 NUTS
- (4) 5/16-18 X 1 GR 5 HEX HEAD BOLT
- (8) 5/16 SAE or 1/4 USS WASHER
- (4) 5/16-18 NYLOC NUT
- (1) NQD-097-SPRING
- (1) SPRING PULLER

# NQD-BCFX5261 & NQD-BCFX5261LH BOBCAT AIRFX 52" & 61" DECK

PICTURE 1



MOUNTING BRACKET

DRILL HERE

MOUNTING BRACKET

**View of QWIKCHUTE**

PICTURE 2



MOUNTING BRACKET

DRILL HERE

MOUNTING BRACKET

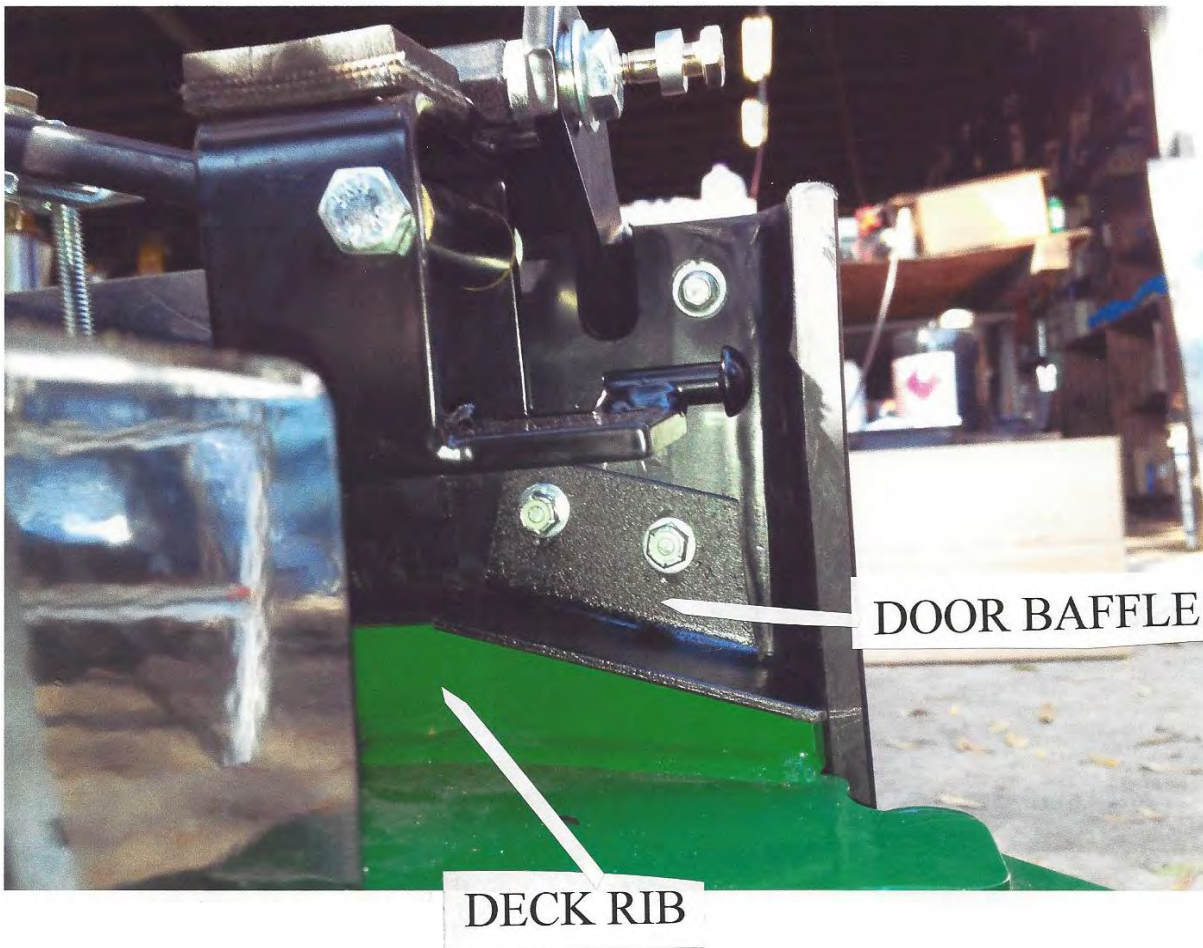
## Rear view of QWIKCHUTE

### STEP 1

REMOVE FACTORY CHUTE, INSTALL BRACKETS ONTO THE BASE PLATE OF THE QWIKCHUTE, AND PLACE THE QWIKCHUTE ONTO THE DECK. CLOSE DOOR ON QWIKCHUTE. CENTER IT UP ON THE DECK OPENING (SEE PICTURE 2 FOR BAFFLE PLACEMENT). WHILE HOLDING DOOR AGAINST THE FACE OF OPENING USE PREINSTALLED MOUNTING BRACKETS AS A TEMPLATE, MARK HOLES WITH A MARKER. REMOVE UNIT, CENTER PUNCH AND DRILL TWO 3/8" HOLES. MOUNT QWIKCHUTE TO DECK USING (2) 5/16 X 1 BOLTS WITH WASHERS AND NUTS AS SUPPLIED. HOLD DOOR AGAINST FACE WHEN TIGHTENING HARDWARE.

**STEP 2** ADJUST DECK BAFFLE TO SEAL DECK RIB AND TIGHTEN BOLTS

**PICTURE 3**

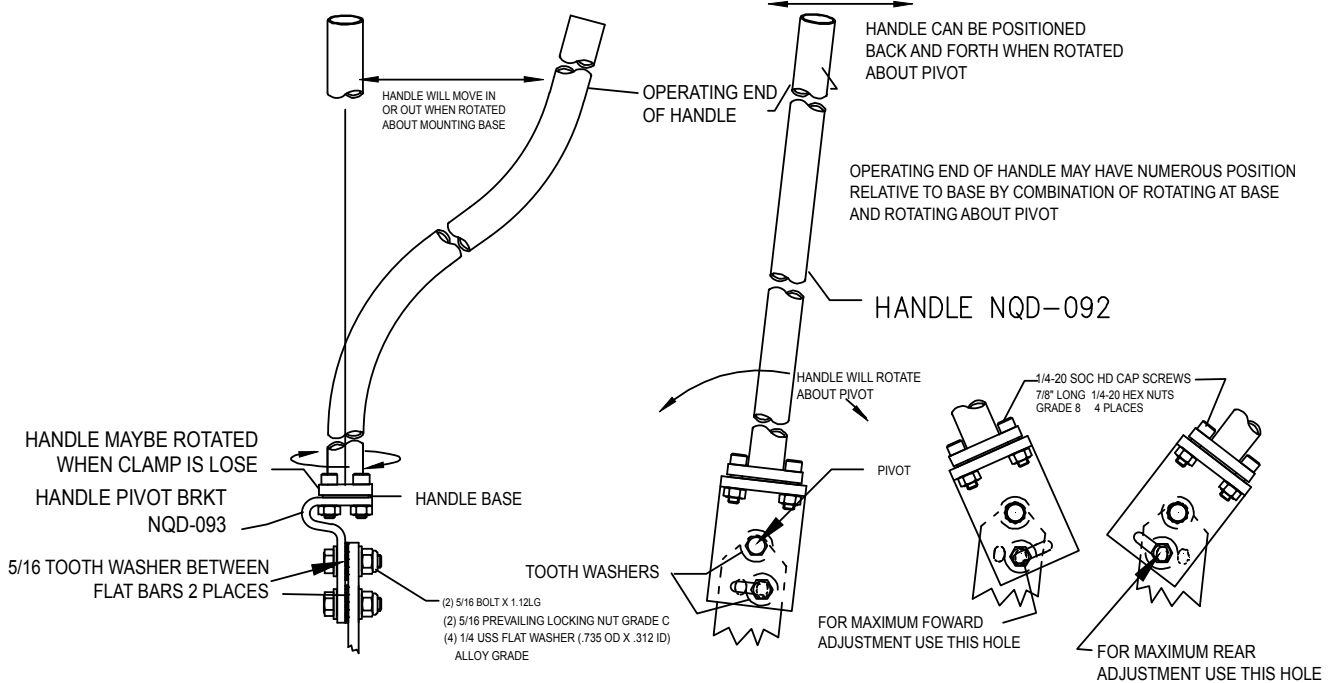
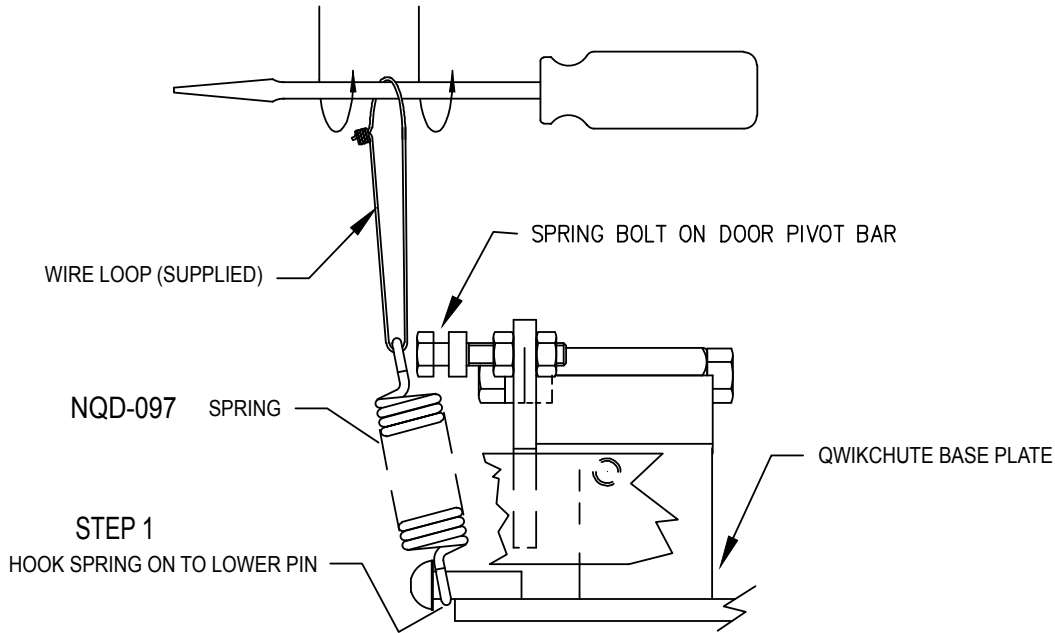


**STEP 3** INSTALL SPRING (SEE INSTALLATION SHEET)

**STEP 4** INSTALL HANDLE (SEE INSTALLATION SHEET)

# SPRING INSTALLATION QWIKCHUTE NQD MODEL

**STEP 2** LOOP FINGERS OVER SCREWDRIVER  
BLADE AND LIFT SPRING ON TO SPRING BOLT  
CAUTION -DO NOT OVER STRECH SPRING  
DISCARD WIRE LOOP AFTER SPRING IS CONNECTED



## HANDLE INSTALLATION AND ADJUSTMENT

### QWIKCHUTE OPERATING PRECEDURE

OPEN FULLY- move handle away from operator quickly.

CLOSE FULLY- move handle toward operator quickly.

PARTIALLY OPEN- from close position move handle away from operator until stay bar swings into position and release handle. To close from partially open position, quickly open and then close.

(some models do not have partial open feature.)

**OIL ALL BEARING POINTS WEEKLY OR AS NEEDED.**

# WARRANTY

GTM Manufacturing, Inc. products are warranted to the original purchaser to be free from defects in materials and workmanship for a period of 90 days from the date of purchase.

Any part(s) of GTM products found to be defective within the warranty period shall, at GTM's option, be repaired or replaced without charge.

Warranty consideration is obtained by returning any GTM product/part believed to be defective to GTM Manufacturing, Inc. within the applicable warranty period. **Please call for authorization.**

**GTM Manufacturing, Inc.**  
**14350 EASTSIDE ST**  
**GROVELAND, FL. 34736**  
**(407) 654-6598**  
**www.qwikchute.com**

**Warranty does not apply to conditions resulting from:**

1. Damage(s) and/or costs associated with shipping and or/ transportation.
2. Lack of normal maintenance, adjustments, or service required for regular use of the product.
3. Modifications, service/repairs, parts or components not authorized by GTM.

GTM shall not be liable for any special, consequential, direct or indirect damages, and expressly states there are no implied warranties. Some states do not allow limitation of incidental or consequential damages, accordingly the above limitations and exclusions may not apply to you. This warranty provides you with specific legal rights which may vary from state to state.

IT IS THE OWNERS RESPONSIBILITY TO PROPERLY COMPLETE AND MAIL THE WARRANTY REGISTRATION CARD.

**PROOF OF PURCHASE AND REGISTRATION WILL BE REQUIRED IN ORDER TO OBTAIN WARRANTY SERVICE.**

## **WARRANTY REGISTRATION CARD**

Name of Purchaser: \_\_\_\_\_

Street Address / P.O. Box: \_\_\_\_\_

City: \_\_\_\_\_ State \_\_\_\_\_ Zip Code: \_\_\_\_\_

Model Number: \_\_\_\_\_ PURCHASE DATE: \_\_\_\_\_|\_\_\_\_\_|\_\_\_\_\_

Dealer Name: \_\_\_\_\_

Street Address: \_\_\_\_\_

City: \_\_\_\_\_ State: \_\_\_\_\_ Zip Code: \_\_\_\_\_

Customer Received: Operators Manual ( ) Safety Instructions ( ) Demonstration ( )

\_\_\_\_\_  
Customers Signature

\_\_\_\_\_  
Date